

## SF VERTICAL AND HORIZONTAL FLOAT FLOW METER

### FEATURES

The SF-type float flow meter is designed for the on-line measurement of water flow-rates. The movement of the float enables a direct reading to be made on the measurement scale. The SF flow meter can be used in the vertical or in the horizontal position due to the float mounting on a spring. The body is made of polycarbonate. Stainless steel threaded connections. This model is equipped, as an option, with an adjustable switch for information feedback on a flow-rate threshold.

### AVAILABLE MODELS

**SF200** : DN 1/2".

**SF350 F** : DN 3/4" to 1"1/2.

Water flow-rates from 5 to 250 litres/minute.

G thread connections

### CERTIFICATION

Pressure Equipment Directive 2014/68/EC: A4 §3

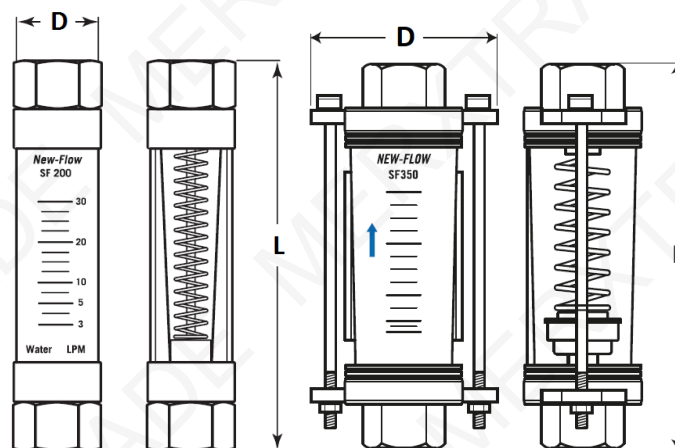
### LIMITS OF USE

IP Code:	IP 65
Fluid WP:	12 bar
Fluid WT°:	+5°C / +60°C
Accuracy:	+/- 5% of the scale



### FLOW-RATE RANGES AND DIMENSIONS (mm)

DN	Type	Water flow-rate range at 20°C (litres/minute)	D	L
1/2"	SF 200	5 - 50	28	134
3/4"	SF 350 F	10 - 100	85	165,5
1"	SF 350 F	15 - 150	85	165,5
1"1/4	SF 350 F	20 - 200	92	175
1"1/2	SF 350 F	25 - 250	92	175



SF 200

SF 350 F

## SF VERTICAL AND HORIZONTAL FLOAT FLOW METER

### CONSTRUCTION

No.	Name	Material
1	Ends	AISI 316 SS
2	Tube	Polycarbonate
3	O-ring	FPM
4	Float	PPS-coated magnetic steel
5	Spring	AISI 316 SS

### ALARM CONTACT OPTION

Type	REED NO
Operation	DPDT
Cut-off voltage	0.5A to 125V AC - 10W to 100V CC
Mounting on flow meter	On a rear plate - position adjustable by 10% to 80% of the flow-rate range
Number of contacts	1 or 2

### INSTALLATION

- Comply scrupulously the alignment of the pipings.
- Plan adapted support of the piping.
- In case of gap, set an expansion joint.
- Comply with the direction indicated by the arrow on the body.

